

MIDI Masonry (180–240 mm)

USE ON MASONRY

Classification/system components

Designation: Approved permanent scaffold anchor system for ETICS, ventilated curtain wall façade and cavity wall according to DIN 4426 (German standard).
For use on masonry with a characteristic load-bearing capacity of 5.0 KN of the strength class 28 in the format 3DF.

Add. feature: for structure thicknesses from 180–240 mm

rocketplug: Plastic frame plug (4 units)

rocketbase: Load distribution plate, galvanised steel, 330 x 280 mm

rocketbody: Anchor body, plastic (glass-fibre reinforced)

rocketbolt: Eye-bolt, special steel, \varnothing 18 mm

rocketseal: Plug, plastic body with hex stainless steel insert

Art. number: 9.1.210

Accessories (available separately)

rocketglue: fast-hardening composite glue for initial adhesion of the load distribution plate

Assembly set: Available as Standard or Extended (for ETICS panels).
Necessary special tools for assembly of the **isorocket®** permanent scaffold anchor

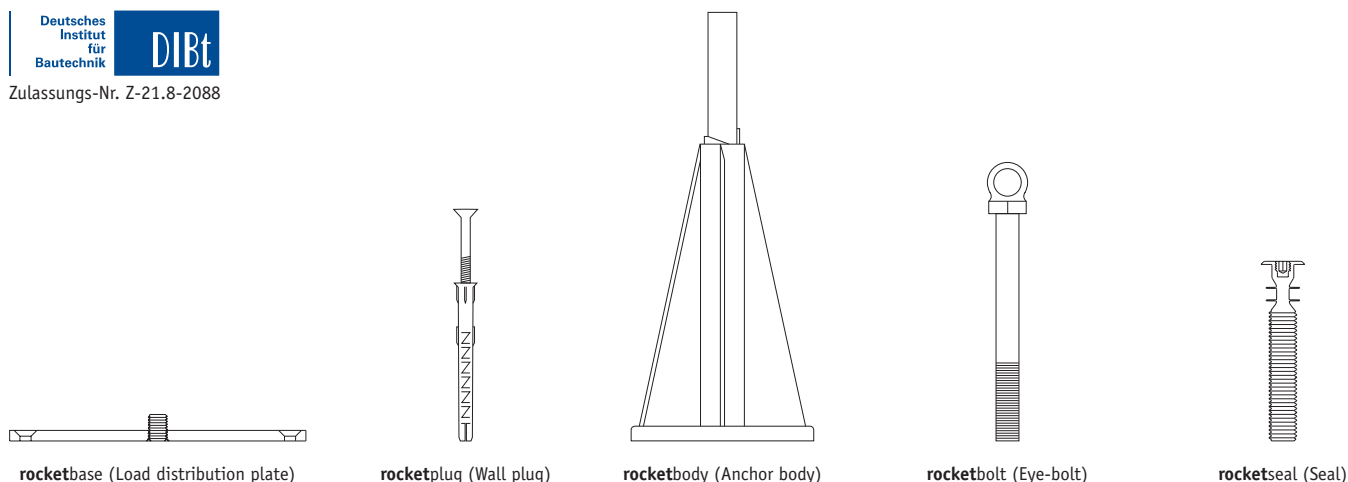


Product description:

The **isorocket®** permanent scaffold anchor **MIDI Masonry** is an approved anchor system according to DIN 4426 (German standard) for external thermal insulation composite systems (ETICS), ventilated curtain wall façade (VCW) and cavity wall that protects the façade against damage right from the outset. **isorocket®** remains as a permanent, almost thermal bridge-free anchor point integrated into the façade, which means it can be reused at any time. Thanks to its ideal force dissipation, the **isorocket®** permanent scaffold anchor not only ensures a secure hold of the construction scaffold, it can also be applied for various uses in new buildings and also later. The extensive work required to fix damage to new façades, for instance damage often caused by conventional ring screws, is now a thing of the past. The **isorocket®** permanent scaffold anchor **MIDI Masonry** is suitable for structure thicknesses of 180–240 mm on masonry. The permanent anchor system allows clean separation of the various trades and does not leave any mutual dependencies between the façade and scaffold construction.



Zulassungs-Nr. Z-21.8-2088



rocketbase (Load distribution plate)

rocketplug (Wall plug)

rocketbody (Anchor body)

rocketbolt (Eye-bolt)

rocketseal (Seal)

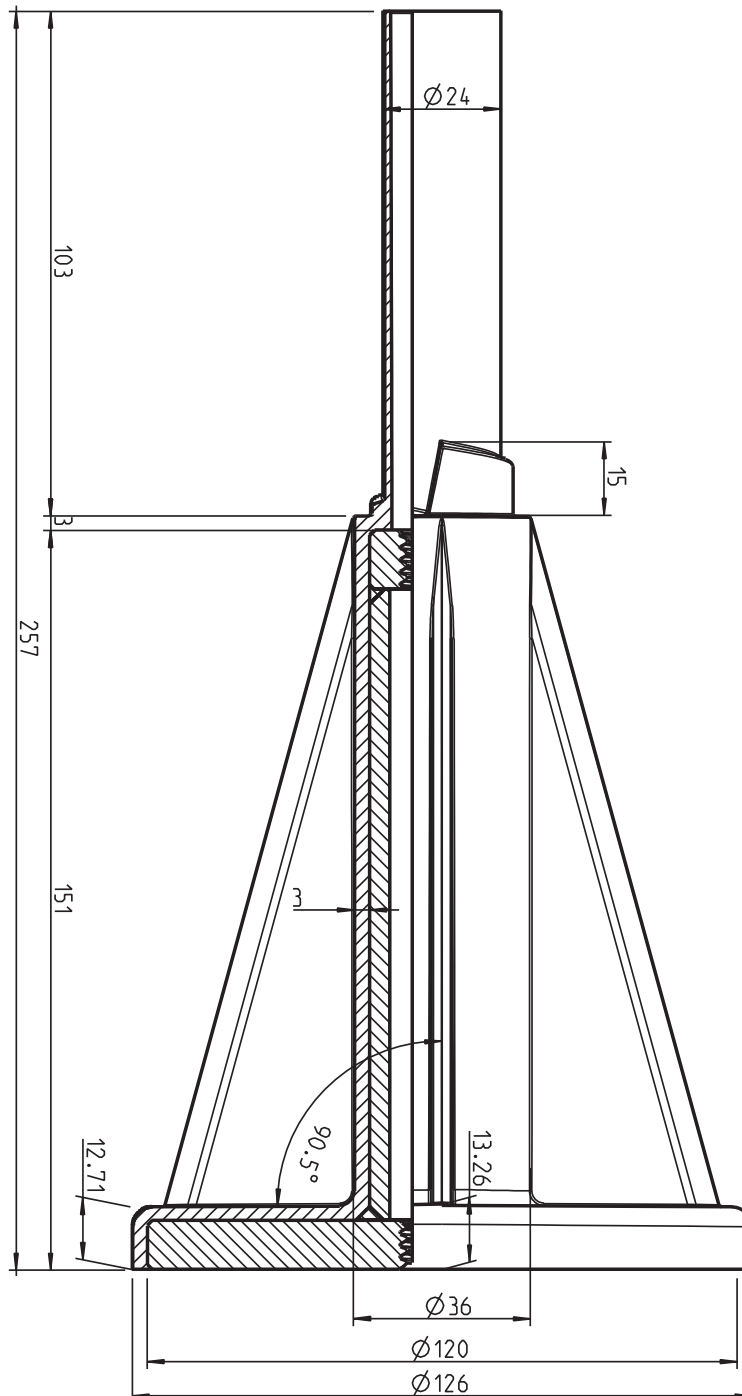
Professional permanent scaffold anchor for ETICS, VCW and Cavity wall. Approved for use on masonry according to DIN 4426 (German standard) with ideal force dissipation. Remains permanently in the façade and can be reused at any time.

MIDI Masonry (180–240 mm)

USE ON MASONRY

DIMENSIONS

rocketbody (Anchor body)



isorocket®

PERMANENT SCAFFOLD
ANCHOR FOR ETICS/
VCW/CAVITY WALL

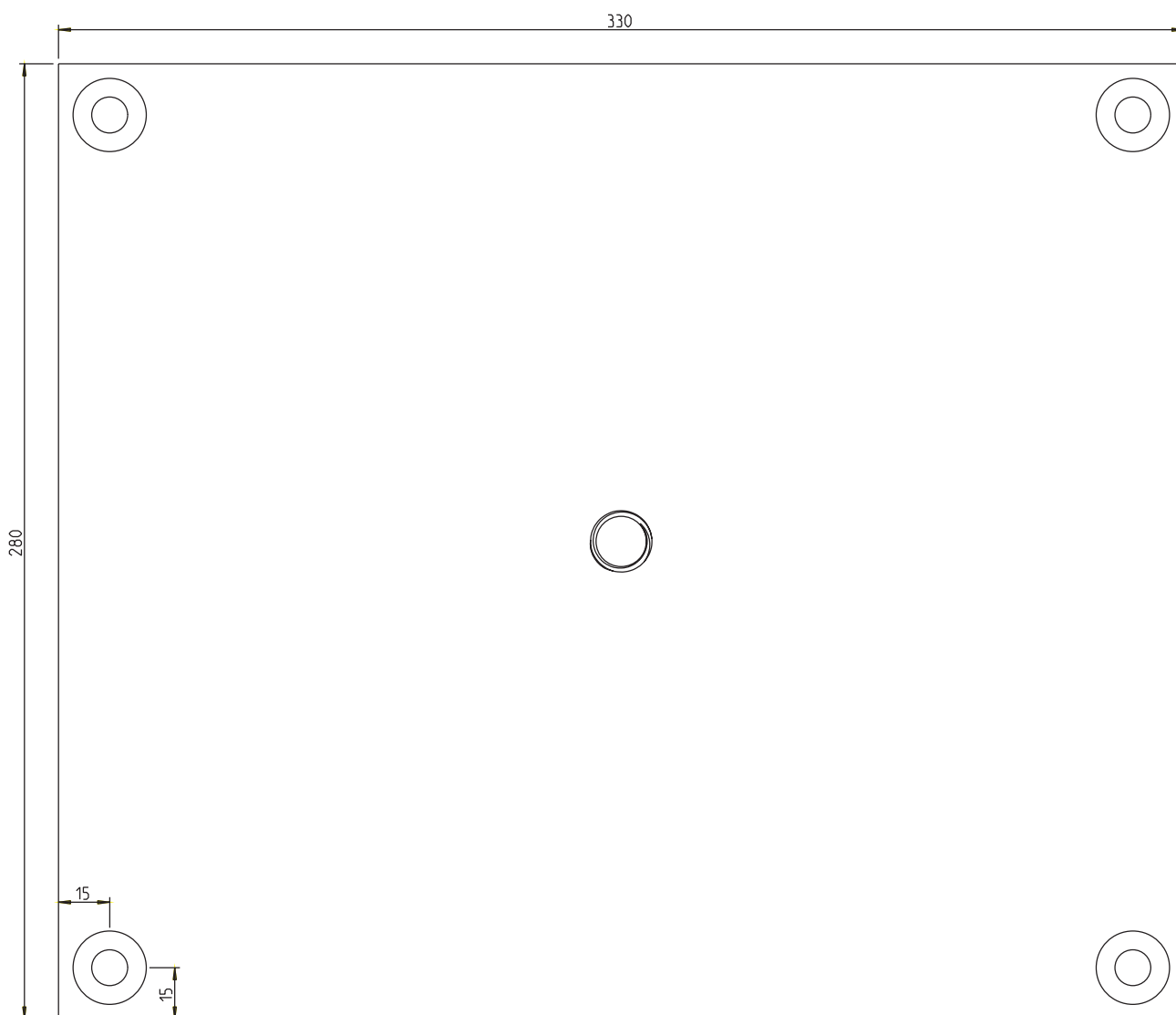
MIDI

MIDI Masonry (180–240 mm)

USE ON MASONRY

DIMENSIONS

rocketbase (Load distribution plate)



isoline® Safety in
façades

WESSENDORF 
sicher drauf, sicher dran

isorocket®

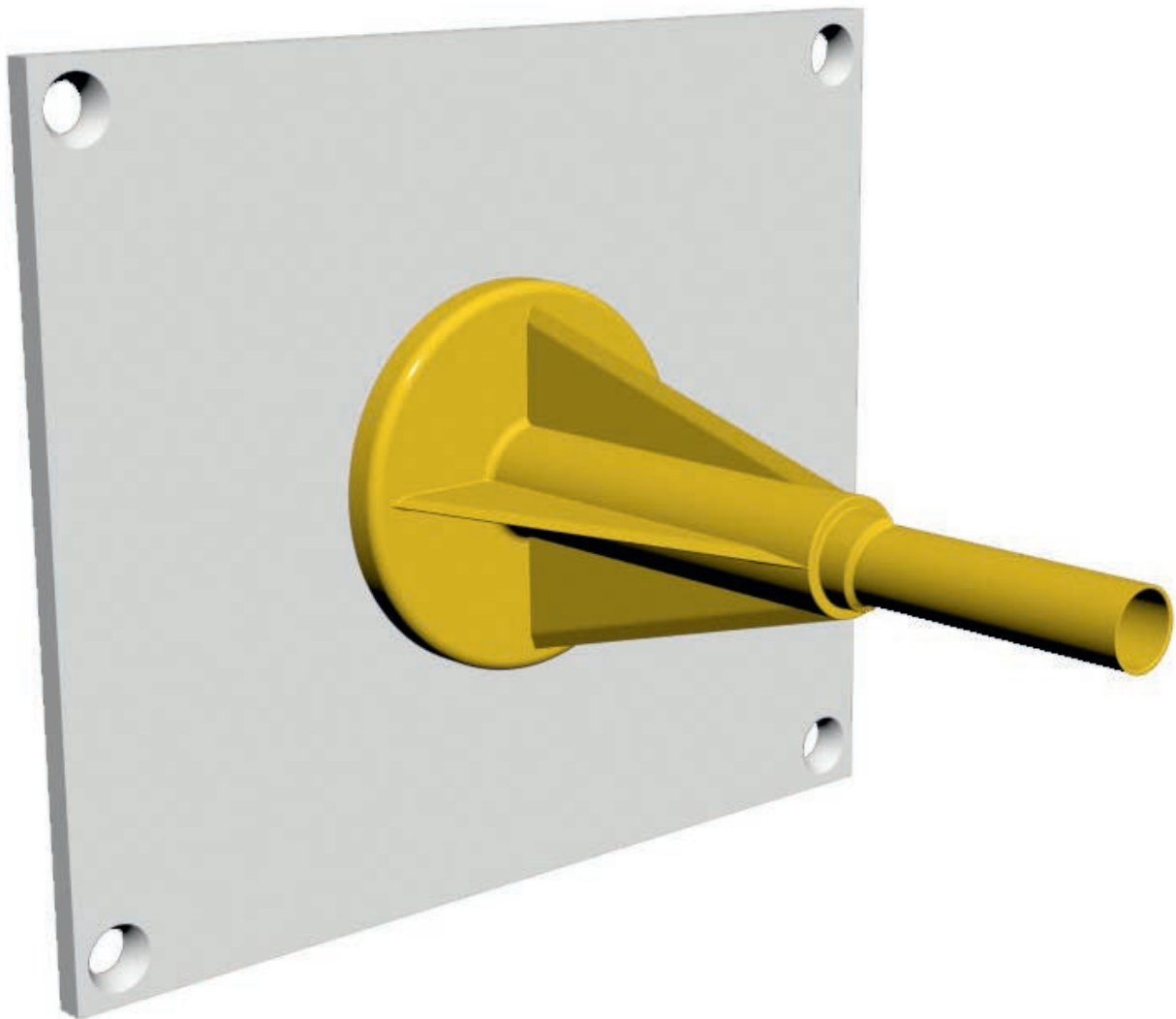
PERMANENT SCAFFOLD
ANCHOR FOR ETICS/
VCW/CAVITY WALL

MIDI

MIDI Masonry (180–240 mm)

USE ON MASONRY

CAD SCREEN



The CAD data for this permanent anchor system are available for download at www.isorocket.de

isoline® Safety in
façades

WESSENDORF 
sicher drauf, sicher dran